

12 YEAR - 200AH 12V SOLAR BATTERY

PVC GEL BATTERY NG Series

NG12-200X (12V 200Ah)



New Power PVC GEL Series is manufactured with PVC/SiO₂ separator and fumed Silica. Gel battery is featured with low self-discharge, strong ability to recover from deep discharging, it has long service life and 50% more deep cycle life and excellent performance at cold ambient temperatures than conventional VRLA.

Battery Construction

COMPONENT	POSITIVE PLATE	NEGATIVE PLATE	CONTAINER	COVER	SAFETY VALVE	TERMINAL	SEPARATOR	ELECTROLYTE
Raw material	Lead dioxide	Lead	ABS	ABS	Rubber	Copper	PVC/SiO ₂	Gelled Acid

Performance Characteristics

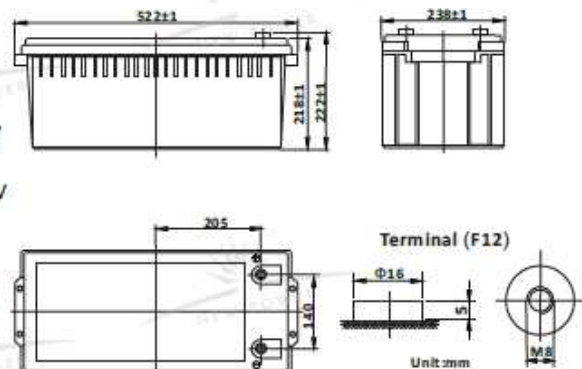
- **Nominal Voltage** 12V
- **Number of Cell** 6
- **Nominal Capacity (77°F / 25°C)**
 - 100 Hour rate (2.07A, 10.8V) 207Ah
 - 20 Hour rate (8.5A, 10.8V) 170Ah
 - 10 Hour rate (15.6A, 10.8V) 156Ah
 - 5 Hour rate (27.6A, 10.5V) 138Ah
- **Internal Resistance**
 - Fully charged battery (77°F / 25°C) 6.5mΩ
- **Capacity affected by temperature (10 hour rate)**
 - 104°F (40°C) 102% 32°F (10°C) 85%
 - 77°F (25°C) 100% 5°F (-15°C) 65%
- **Self-Discharge 68°F (20°C)**
 - Capacity after 3 month storage 90%
 - Capacity after 6 month storage 80%
 - Capacity after 12 month storage 60%
- **Max. discharge current 77°F / 25°C** 1000A(5S)
- **Charge Methods: constant voltage charge 77°F / 25°C**
 - Cycle use 14.28 ~ 14.52V
 - Max. Current 34A
 - Standby use 13.38 ~ 13.62V

General Features

- **Micro millimeter SiO₂ and H₂SO₄ technology for efficient gas recombination of up to 99%, free from electrolyte maintenance or water add.**
- **Not restricted for air transport-complies with IATA/ICAO Special Provision A67.**
- **A recognized component of CE and UL**
- **Computer designed lead, calcium tin alloy grid for high power density.**
- **Long service life, float or cyclic applications.**
- **Maintenance-free operation.**
- **Low self discharge**
- **Design life 12 years**

Dimensions and Weight

Type	Length	Width	Height	Total Height	Approx. Weight
SI Units	522mm	238mm	218mm	222mm	57Kg
English Units	20.6inch	9.37inch	8.85inch	8.74inch	125.6lbs



Constant Current Discharge (Amperes at 77°F/25°C)

V/cell	10min	15min	30min	1h	3h	5h	10h	20h	100h
1.60	361	293	171	101	41.5	29.1	15.86	8.70	2.14
1.65	340	278	164	98.8	40.8	28.6	15.80	8.65	2.12
1.70	318	263	159	96.7	40.0	28.1	15.73	8.55	2.11
1.75	297	249	153	94.6	39.5	27.6	15.70	8.55	2.09
1.80	274	235	150	92.5	38.8	26.7	15.60	8.50	2.07

Constant Power Discharge (Watts at 77°F/25°C)

V/cell	10min	15min	30min	45min	1h	2h	3h	5h	100h
1.60	633	521	338	230	209	116	81.1	55.6	4.23
1.65	602	502	328	225	206	114	80.2	55.3	4.19
1.70	570	483	318	219	203	112	79.2	54.9	4.18
1.75	540	464	308	214	197	110	78.3	54.6	4.16
1.80	506	442	297	210	191	108	73.9	54.0	4.13

PVC GEL BATTERY NG Series

NG12-200X (12V 200Ah)

