

# **User Manual**

## **Solar Charge Controller 3KW**

# CONTENTS

1 ABOUT THIS MANUAL .....	3
1.1 Purpose .....	3
1.2 Scope .....	3
1.3 SAFETY INSTRUCTIONS .....	3
2 INTRODUCTION.....	4
2.1 Features.....	4
2.2 Product Overview.....	5
3. INSTALLATION.....	6
3.1 Unpacking and Inspection.....	6
3.2 Preparation .....	6
3.3 Mounting the Unit .....	6
3.4 Power Connection .....	7
3.5 Grounding and Ground Fault Interruption .....	9
3.6 Remote Temperature Sensor .....	9
3.7 Battery Voltage Sense .....	10
3.8 Communication Connections .....	11
4. OPERATION.....	13
4.1 Power-Up .....	13
4.2 Operation and Display Panel.....	13
4.2 LCD Display Icons .....	14
4.3 LCD Setting .....	16
4.4 Reference Code .....	16
5. SPECIFICATIONS .....	17
6. TROUBLE SHOOTING .....	17

# 1 ABOUT THIS MANUAL

## 1.1 Purpose

This manual describes the assembly, installation, operation and troubleshooting of this unit. Please read this manual carefully before installations and operations.

Keep this manual for future reference.

## 1.2 Scope

This manual provides safety and installation guidelines as well as information on tools and wiring.

## 1.3 SAFETY INSTRUCTIONS



**WARNING:** This chapter contains important safety and operating instructions. Read and keep this manual for future reference.

1. Before using the unit, read all instructions and cautionary markings on the unit, the batteries and all appropriate sections of this manual.
2. Do not disassemble the unit. Take it to a qualified service center when service or repair is required. Incorrect re-assembly may result in a risk of electric shock or fire.
3. To reduce risk of electric shock, disconnect all wirings before attempting any maintenance or cleaning. Turning off the unit will not reduce this risk.
4. **CAUTION** – Only qualified personnel can install this device with battery.
5. **NEVER** charge a frozen battery.
6. For optimum operation of this charger, please follow required spec to select appropriate cable size. It's very important to correctly operate this charger.
7. Be very cautious when working with metal tools on or around batteries. A potential risk exists to drop a tool to spark or short circuit batteries or other electrical parts and could cause an explosion.
8. Please strictly follow installation procedure when you want to disconnect PV or battery terminals. Please refer to INSTALLATION section of this manual for the details.
9. **GROUNDING INSTRUCTIONS** -This charger should be connected to a permanent grounded wiring system. Be sure to comply with local requirements and regulation to install this charger.
10. **NEVER** cause short circuited on battery output.
11. **Warning!!** Only qualified service persons are able to service this device. If errors still persist after following troubleshooting table, please send this charger back to local dealer or service center for maintenance.

## **2 INTRODUCTION**

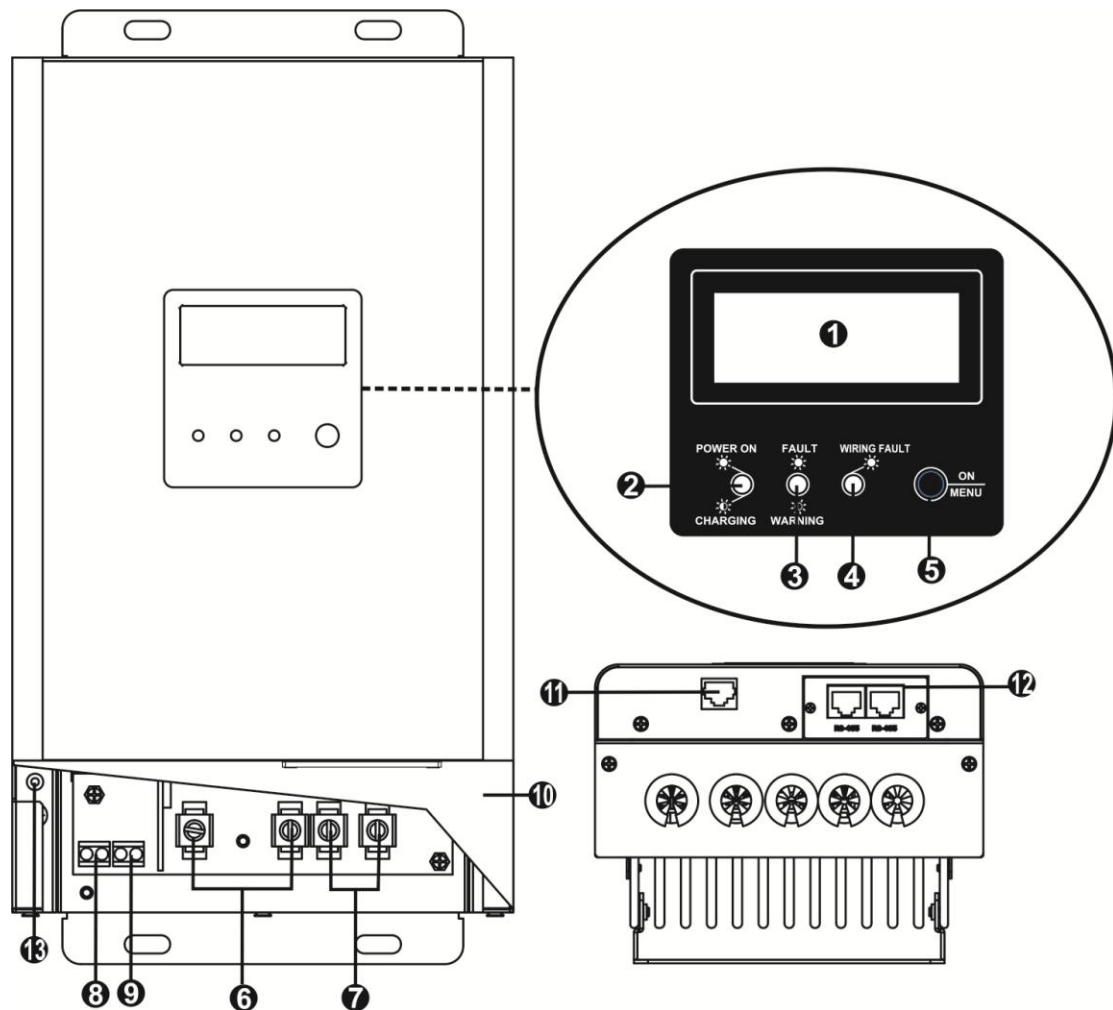
Thank you for selecting this solar charge controller. This solar charge controller is an advanced solar charger with maximum power point tracking. Applying intelligent MPPT algorithm, it allows solar charge controller to extract maximum power from solar arrays by finding the maximum power point of the array.

The MPPT battery charging process has been optimized for long battery life and improved system performance. Self-diagnostics and electronic error protections prevent damage when installation errors or system faults occur. This charger also features multifunctional LCD with communication ports for remote battery temperature and voltage measurement.

### **2.1 Features**

- Intelligent Maximum Power Point Tracking technology increases efficiency 25%~30%
- Compatible for PV systems in 12V, 24V or 48V
- Three-stage charging optimizes battery performance
- Maximum charging current up to 60A
- Maximum efficiency up to 98%
- Battery temperature sensor (BTS) automatically provides temperature compensation
- Automatic battery voltage detection
- Support wide range of lead-acid batteries including wet, AGM and gel batteries
- Integrated intelligent slot compatible with SNMP/MODBUS communication

## 2.2 Product Overview



1. LCD display
2. Power On/Charging indicator
3. Fault and warning indicator
4. Wiring fault indicator
5. Operation button
6. PV connectors
7. Battery connectors
8. Battery voltage sense terminal
9. Remote temperature sensor terminal
10. Wiring box cover
11. Communication port
12. Intelligent slot
13. Grounding terminal

### 3. INSTALLATION

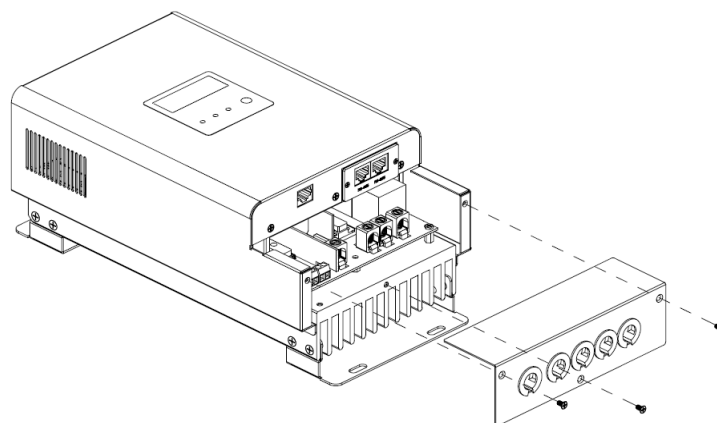
#### 3.1 Unpacking and Inspection

Before installation, please inspect the unit. Be sure that nothing inside the package is damaged. You should have received the following items inside of package:

- Solar charge controller x 1
- User manual x 1
- Communication cable x 1

#### 3.2 Preparation

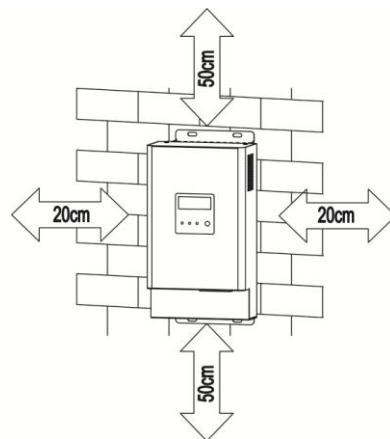
Before connecting all wirings, please take off wiring box cover by removing screws as shown below.



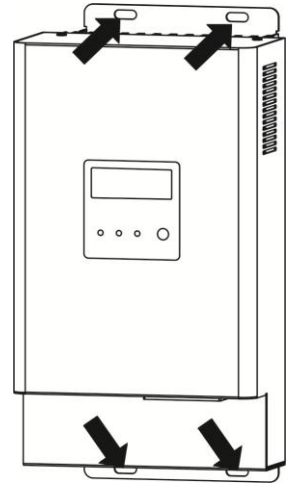
#### 3.3 Mounting the Unit

Consider the following points before selecting where to install:

- This solar charge controller is designed in IP31 for indoor applications only.
- Do not mount the unit on flammable construction materials.
- Mount on a solid surface
- Install this charger at eye level in order to allow the LCD display to be read at all times.
- For proper air circulation to dissipate heat, allow a clearance of approx. 20 cm to the side and approx. 50 cm above and below the unit.
- The ambient temperature should be between 0°C and 55°C to ensure optimal operation.
- The recommended installation position is to be adhered to the wall vertically.



Install the unit to the wall by screwing four screws.  
Refer to right chart.



### 3.4 Power Connection

#### Wire size

The four large power terminals are sized for 14 - 2 AWG (2.5 - 35 mm<sup>2</sup>) wire. The terminals are rated for copper and aluminum conductors. Use UL-listed Class B 300 Volt stranded wire only. Good system design generally requires large conductor wires for solar module and battery connections that limit voltage drop losses to 2% or less.

#### Minimum Wire Size

The table below provides the recommended minimum wire size allowed for the charger. Wire types rated for 75°C and 90°C are listed.

#### Recommended wire size:

Typical Amperage	Wire Type	75°C Wire	90°C Wire
60A	Copper	4 AWG (25 mm <sup>2</sup> )	6 AWG (16 mm <sup>2</sup> )
	Aluminum	2 AWG (35 mm <sup>2</sup> )	4 AWG (25 mm <sup>2</sup> )

#### Overcurrent Protection and Disconnects

**CAUTION:** Circuit breakers or fuses must be installed in both battery and solar circuits.

The battery circuit breaker or fuse must be rated to 125% of the maximum current or more. The recommended breaker/fuse rating for use with the charger is listed in the below table.

#### Recommended breaker rating:

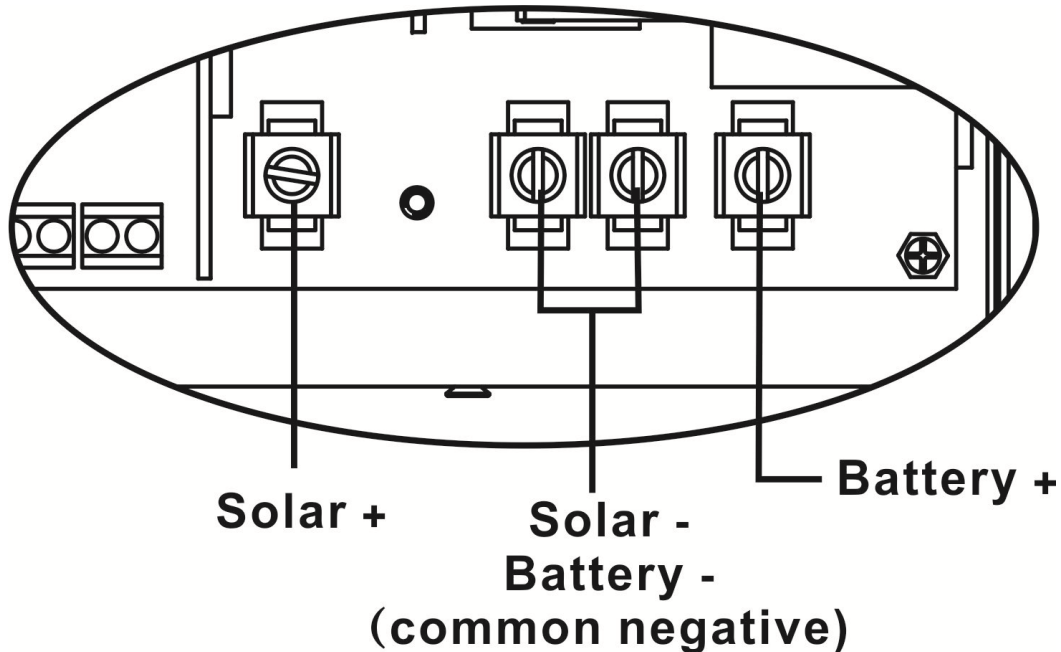
Minimum battery circuit breaker/fuse rating
1.25 x 60 Amps = 75.0 Amps

A disconnect is required for the battery and solar circuits to provide a means for removing power from the charger. Double pole switches or breakers are convenient for disconnecting both solar and battery conductors simultaneously.

## Connect the Power Wires

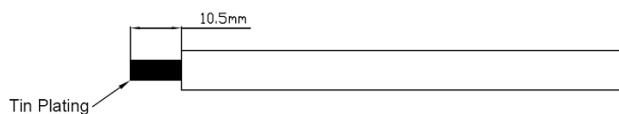
### **WARNING: Shock Hazard**

The solar modules can produce open-circuit voltages in excess of 100 Vdc when in sunlight. Verify if solar input breaker or disconnect has been opened (disconnected) before connecting system wires.



Connect terminals by following below steps (Refer to diagram above):

1. Make sure that the system input and output disconnect switches are both turned off before connecting power wires to the charger. There are no disconnecting switches inside the charger.
2. Make 4 power wires first. Remove insulation sleeve 10.5mm and the conductor should be plated Tin. Refer to the chart below.



3. Pull all wires into the wiring box. The Remote Temperature Sensor and Battery Sense wires can be inside the conduit with the power conductors. It is easier to pull RTS and Sense wires before the power cables.

### **WARNING: Risk of Damage**

Be sure that the battery connection is made with correct polarity. Turn on the battery breaker/disconnect and measure the voltage on the open battery wires **BEFORE** connecting to the controller. Disconnect the battery breaker/disconnect before wiring



to the controller.

4. Connect positive terminal (+) of battery to the battery positive terminal (+) on the controller.
5. Connect negative terminal (-) of battery to one of the Common Negative terminals (-) on the controller.

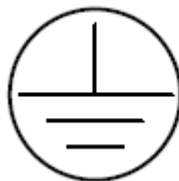
***WARNING: Risk of Damage***

*Be sure that solar connection is made with correct polarity. Turn on the solar breaker/disconnect and measure the voltage on the open wires BEFORE connecting to the controller. Disconnect solar breaker/disconnect before wiring to the controller.*

6. Connect positive wire (+) of solar module to the solar positive terminal (+) on the controller.
7. Connect negative wire (-) of solar module to one of the Common Negative terminals (-) on the controller.
8. Screw four (4) power terminals tightly with 50 in-lbs torque. (5.65 Nm)

**3.5 Grounding and Ground Fault Interruption**

Use a copper wire to connect the grounding terminal in the wiring box to earth ground. The grounding terminal is identified by the ground symbol shown below that is stamped into the wiring box just below the terminal:



The minimum size of the copper grounding wire is 8 AWG (10 mm<sup>2</sup>).

***WARNING: Risk of Fire***

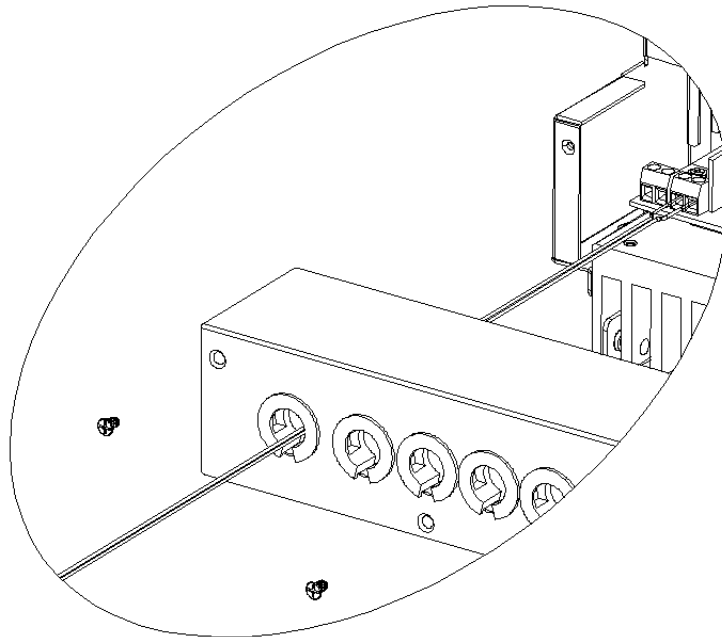
*DO NOT bond system electrical negative to earth ground at the controller.*

**3.6 Remote Temperature Sensor**

The included Remote Temperature Sensor (RTS) is recommended for effective temperature compensated charging. Connect the RTS to the 2-pole terminal (see figure as below). The RTS is supplied with 33 ft (10 m) of 22 AWG (0.34 mm<sup>2</sup>) cable. There is no polarity, so either wire (+ or -) can be connected to either screw terminal.

The RTS cable may be pulled through conduit along with the power wires. Tighten the connector screws with 5 in-lb (0.56 Nm) torque.

**NOTE:** The RTS is optional package. Please check local dealer for the details.



**CAUTION:** The controller will not activate temperature compensate charging function if the RTS is not used.

**CAUTION: Equipment Damage**

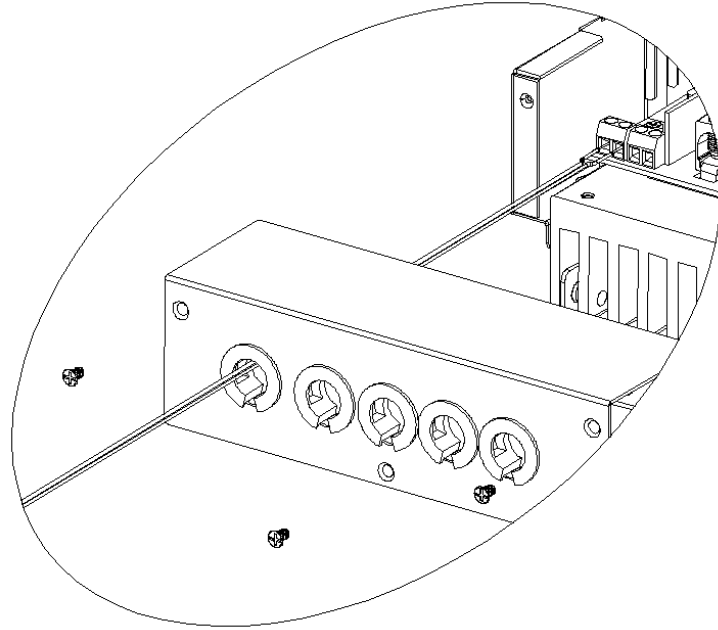
Never place the temperature sensor inside a battery cell. Both the RTS and the battery will be damaged.

**NOTE:** The RTS cable may be shortened if the full length is not needed.

### 3.7 Battery Voltage Sense

The voltage at the battery connection on the controller may differ slightly from the voltage directly at the battery bank terminals due to connection and cable resistance. The Battery Voltage Sense connection enables the controller to measure the battery terminal voltage precisely with small gauge wires that carry very little current, and thus have no voltage drop. Both battery voltage sense wires are connected to the 2-pole terminal inside of wiring box (see figure as below).

Be careful to connect the battery positive (+) terminal to the voltage sense positive (+) terminal and battery negative (-) terminal to the voltage sense negative terminal (-). No damage will occur if the polarity is reversed, but the controller cannot read a reversed sense voltage.



A battery voltage sense connection is not essential required to operate your controller, but it is recommended for best performance. The battery voltage sense will ensure that the voltage display in LCD is very accurate.

The voltage sense wires should be cut to length as required to connect the battery to the voltage sense terminal. The wire size can range from 16 to 24 AWG (1.0 to 0.25 mm<sup>2</sup>). A twisted pair cable is recommended but not required. Use UL rated 300 Volt conductors. The voltage sense wires may be pulled through conduit with the power conductors. Tighten the connector screws with 5 in-lb (0.56 Nm) torque.

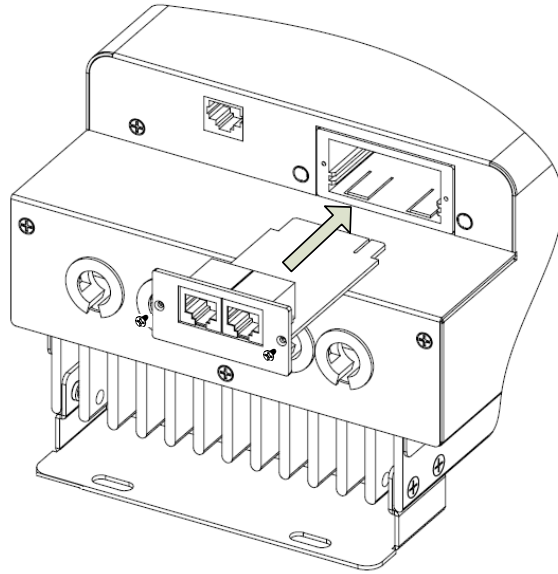
The maximum length allowed for each battery voltage sense wire is 98 ft (30 m).

### **3.8 Communication Connections**

The default communication of the controller is RS232 port. You can use supplied cable to connect RS-232 port of the controller to PC. It can be used for monitoring or upgrade the firmware in short distance.

Intelligent slot allows the controller to use different communication methods except RS232. Slot can support SNMP, USB, MODBUS cards and so on.

You can follow the below figure to install the card if you had purchased for it.



Insert bundled software CD into a computer and follow on-screen instruction to install the monitoring software. For the detailed software operation, please check user manual of software inside of CD.

## 4. OPERATION

### 4.1 Power-Up

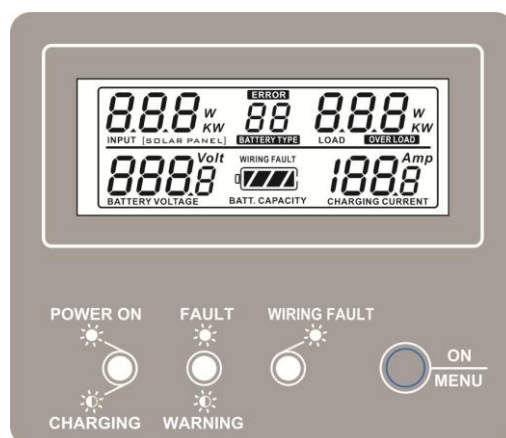
***WARNING: Risk of Damage***

*Connecting the solar module to the battery connector will permanently damage the controller.*

- Confirm that the solar and battery polarities are correctly connected to the controller.
- A battery must be connected to the controller before operating it. The controller will not operate only with solar input. Solar input can trigger the controller to start up when the battery is connected without pressing the button.
- Turn on battery disconnect switch first. And press operation button for a while. Then, it will indicate a successful start-up in LCD display.
- Turn on solar disconnect switch. If the solar module is in full sunlight, the controller will begin charging.

### 4.2 Operation and Display Panel

The operation and display panel, shown in below chart, is on the front panel of the controller. It includes three indicators, one operation button and a LCD display, indicating the operating status and input/output power information.



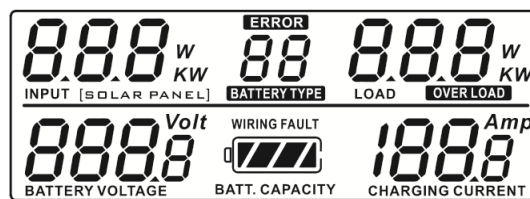
#### LED Indicator

LED Indicator		Messages	
POWER ON/ CHARGING	Green	Solid On	The controller is on.
		Flashing	The controller is charging.
FAULT/ WARNING	Red	Solid On	Fault occurs.
		Flashing	Warning situation occurs.
WIRING FAULT	Red	Solid On	Battery polarities are not connected correctly.



## Operation Button

Function	Action Description
Power on	Press the button until LCD backlight is on.
Enter	Press the button for 5 seconds until it jumps to next screen.
Select	Press shortly to change selection.
Exit	If nothing to press in setting menu for 5 seconds, it will automatically save current setting and exit the setting mode.
Backlight on	Press shortly

## 4.2 LCD Display Icons

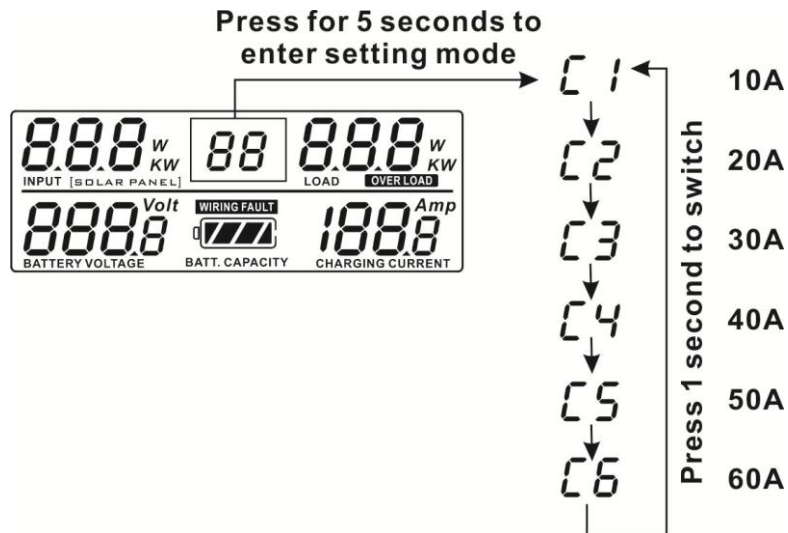


Icon	Function description
<b>Input Source Information</b>	
	Indicates the PV input voltage.
<b>Configuration Program and Fault Information</b>	
	Indicates the setting programs.
	Indicates the warning and fault codes.
	Indicates the current battery type.
<b>Output Information</b>	
	Indicate battery voltage.
	Indicate charging power.

	Indicate charging current.	
	Indicates battery level by 0-24%, 25-49%, 50-74% and 75-100% in battery mode and charging status in line mode.	
Battery Charging Status.		
Status	Battery voltage	LCD Display
Constant Current mode / Constant Voltage mode	<2V/cell	4 bars will flash in turns.
	2 ~ 2.083V/cell	The right bar will be on and the other three bars will flash in turns.
	2.083 ~ 2.167V/cell	The two right bars will be on and the other two bars will flash in turns.
	> 2.167 V/cell	The three right bars will be on and the left bar will flash.
Floating mode	Batteries are fully charged.	4 bars will be on.

### 4.3 Charging Current Setting

After pressing and holding the button for 5 seconds, the unit will enter setting mode. Only charging current is able to set up. Press button shortly to switch setting current figure from C1 to C6, presenting 10A to 60A. After retaining in setting figure and nothing to press for 5 second, it will exit setting mode. All current setting will be saved automatically. Refer to below chart for set up charging current.



### 4.4 Reference Code

Type	Code	Event
Fault	01	Over charge current
	02	Over temperature
	03	Battery voltage is too low
	04	Battery voltage is high
	05	PV is high loss
	06	Battery temperature is too low
	07	Battery temperature is too high
Warning	20	PV is low loss
	21	Output derating caused from high PV voltage
	22	Output derating caused from high temperature
	23	Low alarm for battery temperature



## 5. TROUBLE SHOOTING

Situation		Solution
Fault Code	Fault Event	
01	Over charge current	<ol style="list-style-type: none"> <li>1. Restart the charger.</li> <li>2. If the problem remains, please contact your installer.</li> </ol>
02	Over temperature	<ol style="list-style-type: none"> <li>1. Keep the charger in the cool environment.</li> <li>2. If the problem remains, please contact your installer.</li> </ol>
03	Battery voltage under	<ol style="list-style-type: none"> <li>1. Check the battery wire connection.</li> <li>2. If the wire connection is ok, please contact your installer.</li> </ol>
04	Battery voltage high	<ol style="list-style-type: none"> <li>1. Reconnect the battery to the charger.</li> <li>2. If the problem remains, please contact your installer.</li> </ol>
05	PV high loss	<ol style="list-style-type: none"> <li>1. Please check the voltage of the solar panel, it should be less than 140V.</li> <li>2. If the voltage is ok, please contact your installer.</li> </ol>
06	Battery temperature too low	<ol style="list-style-type: none"> <li>1. Check your remote temperature sensor and your battery ambient temperature.</li> <li>2. If the problem remains, please contact your installer.</li> </ol>
07	Battery temperature too high	<ol style="list-style-type: none"> <li>1. Check your remote temperature sensor and your battery ambient temperature.</li> <li>2. If the problem remains, please contact your installer.</li> </ol>
No display in LCD screen.		<ol style="list-style-type: none"> <li>1. Check battery wire connection.</li> <li>2. Push the button, if the problem remains, please contact your installer.</li> </ol>

## 6. SPECIFICATIONS

Table 1 Electrical Specifications

<b>MODEL</b>	<b>MPPT 3KW</b>
<b>Nominal System Voltage</b>	12, 24, or 48 VDC
<b>Maximum Battery Current</b>	60 Amps
<b>Maximum Solar Input Voltage</b>	145V
<b>PV Array MPPT Voltage Range</b>	60~115VDC
<b>Maximum Input Power</b>	12 Volt--800 Watts 24 Volt--1600 Watts 48 Volt--3200 Watts
<b>Transient Surge Protection</b>	4500 Watts / port
<b>Protections</b>	Solar high voltage disconnect Solar high voltage reconnect Battery high voltage disconnect Battery high voltage reconnect High temperature disconnect High temperature reconnect

Table 2 Battery Charging

<b>MODEL</b>	<b>MPPT 3K</b>
<b>Charging Algorithm</b>	3-Step
<b>Charging stages</b>	Bulk, Absorption, Float
<b>Temperature compensation coefficient</b>	-5 mV / °C / cell (25 °C ref.)
<b>Temperature compensation range</b>	0 °C to +50 °C
<b>Temperature compensated set points</b>	Absorption, Float

Charging Set points	Absorption Stage	Float Stage
<b>Flooded Battery</b>	14.6V / 29.2V / 58.4V	13.5V / 27V / 54V
<b>AGM/Gel Battery</b>	14.1V / 28.2V / 56.4V	13.5V / 27V / 54V
<b>Over-charging voltage</b>	15V / 30V / 60V	
<b>Over-charging comeback voltage</b>	14.5V / 29V / 58V	
<b>Battery defect voltage</b>	8.5V / 17V / 34V	
<b>Battery defect comeback voltage</b>	9V / 18V / 36V	
<b>Charging Curve</b>		

Table 3 Mechanical and Environment

Charger MODEL	MPPT 3K
<b>Product size (W x H x D, mm)</b>	315 x 165 x 128
<b>Product weight (Kg)</b>	4.5
<b>Ambient Temperature Range</b>	0°C to 55°C
<b>Storage Temperature</b>	-40°C to 75°C
<b>Humidity</b>	0%-90% RH(No condensing)
<b>Enclosure</b>	IP31 (indoor & vented)